

OptiStep®

LOFT LADDER

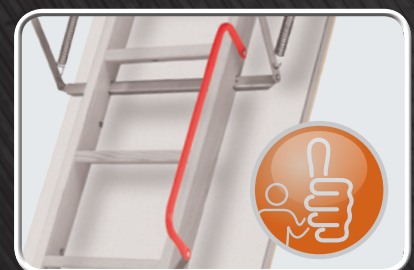
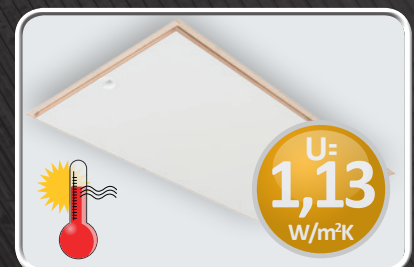
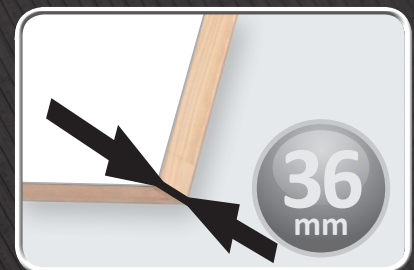
OLE MINI

The **OLE MINI** is a compact 4-section loft ladder designed for installation in small ceiling openings. Once folded up, the loft ladder hides in the ceiling without occupying space in the room in which it is installed. The product is equipped with white insulated hatch, peripheral seal and handrail. The loft ladder is recommended for habitable heated rooms in order to reduce heat loss.

NEW!

U=1,13
W/m²K

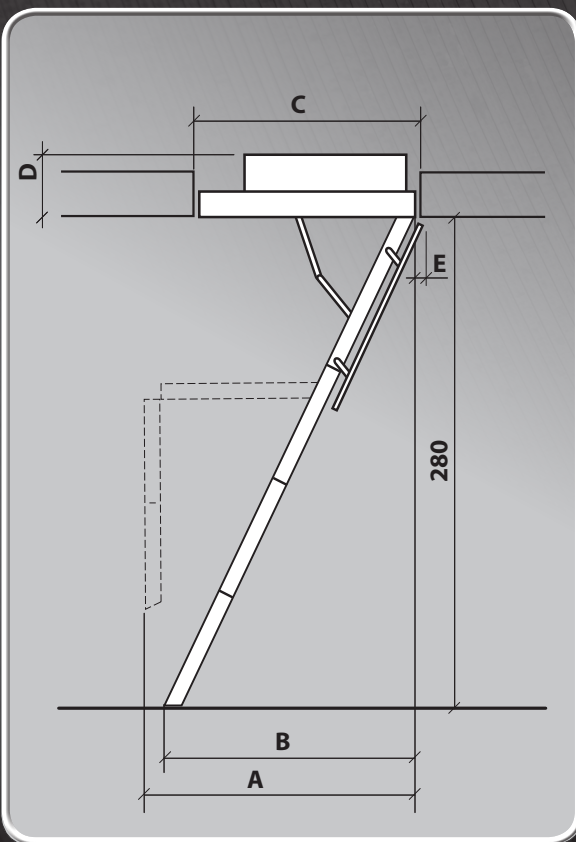
WARRANTY
2 YEARS



Technical parameters

Maximum loading	150kg
Ladder width	38cm
Distance between treads	25cm
Tread length	34cm
Tread width	8cm
Tread/string thickness	2cm
String height	8cm
Hatch thickness	3.6cm
Box height	14cm
Hatch heat transmittance coefficient*	U=1.13W/m ² K

* manufacturer's internal testing for the middle part of the hatch



Box

- made of pinewood/spruce wood;
- stiffened in corners with a spring catch;
- equipped with a peripheral seal.



Hatch

- finished on both sides with white HDF board;
- opened by means of supplied control rod.



Ladder

- folding 4-section ladder;
- made of pinewood;
- equipped with metal handrail.



Treads

- treads connected to the strings by means of dovetail joints for increased connection durability;
- equipped with special anti-slipping grooves.



Available accessories

- OXL-PVC masking slats
- OXH 50/13 handrail

Commercial dimensions [cm]	Box external dimension [cm]	Maximum room height [cm]	A - Swing space [cm]	B - Distance after unfolding [cm]	D - Height of folded ladder [cm]	E - Hatch retraction after opening [cm]
60x94	58x92	280	128	114	39	3.5
70x94	68x92					
60x100	58x98					
70x100	68x98					

Detailed information and installation manuals can be found on our website at:

www.kronmat.com/en